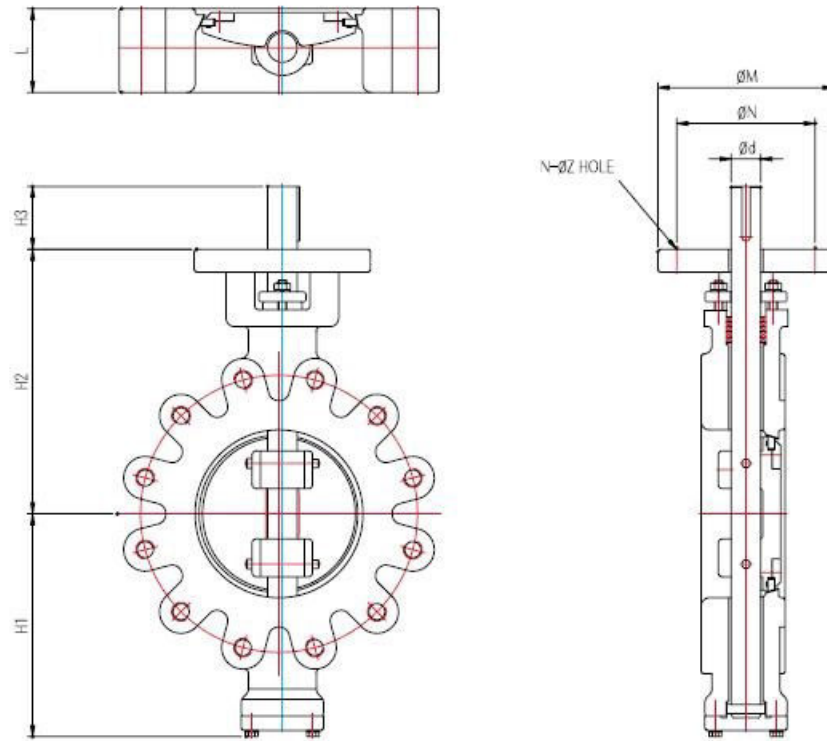


Triple Eccentric Metal Seated Butterfly Valves

CLASS 300LB LUG TYPE



VALVE DIMENSIONS

unit : mm

SIZE		L	H1	H2	STEM		TOP FLANGE			
inch	mm				KEY		TYPE	ØN	ØM	N-ØZ
					H3	Ød				
3"	80	48	151	191	45	22	F07	70	90	4-9
4"	100	54	176	215	45	22	F07	70	90	4-9
5"	125	57	191	228	45	22	F07	70	90	4-9
6"	150	59	223	252	60	25	F10	102	125	4-12
8"	200	73	251	305	75	35	F16	165	210	4-22
10"	250	83	290	350	75	45	F16	165	210	4-22
12"	300	92	340	380	100	55	F25	254	300	8-18
14"	350	117	365	406	100	60	F25	254	300	8-18
16"	400	133	415	486	100	70	F25	254	300	8-18
18"	450	149	445	525	120	75	F30	298	350	8-23
20"	500	159	473	585	120	90	F30	298	350	8-23
22"	550	171	490	610	120	100	F30	298	350	8-23
24"	600	181	550	657	150	110	F35	356	415	8-33
26"	650	210	579	680	150	110	F35	356	415	8-33
28"	700	229	632	728	180	120	F40	406	475	8-39
30"	750	230	659	756	180	135	F40	406	475	8-39
32"	800	241	700	800	180	140	F40	406	475	8-39
34"	850	241	730	840	180	140	F40	406	475	8-39
36"	900	241	770	885	220	150	F48	483	560	12-39
40"	1000	300	800	915	220	170	F48	483	560	12-39
44"	1100	350	840	980	260	200	F60	603	686	20-39
48"	1200	350	900	1030	260	220	F60	603	686	20-39

※ The flange dimension shall be conformed to ANSI 300LB, KS/JIS 20K, BS PN25, DIN PN20/PN25, ISO PN25 respectively.