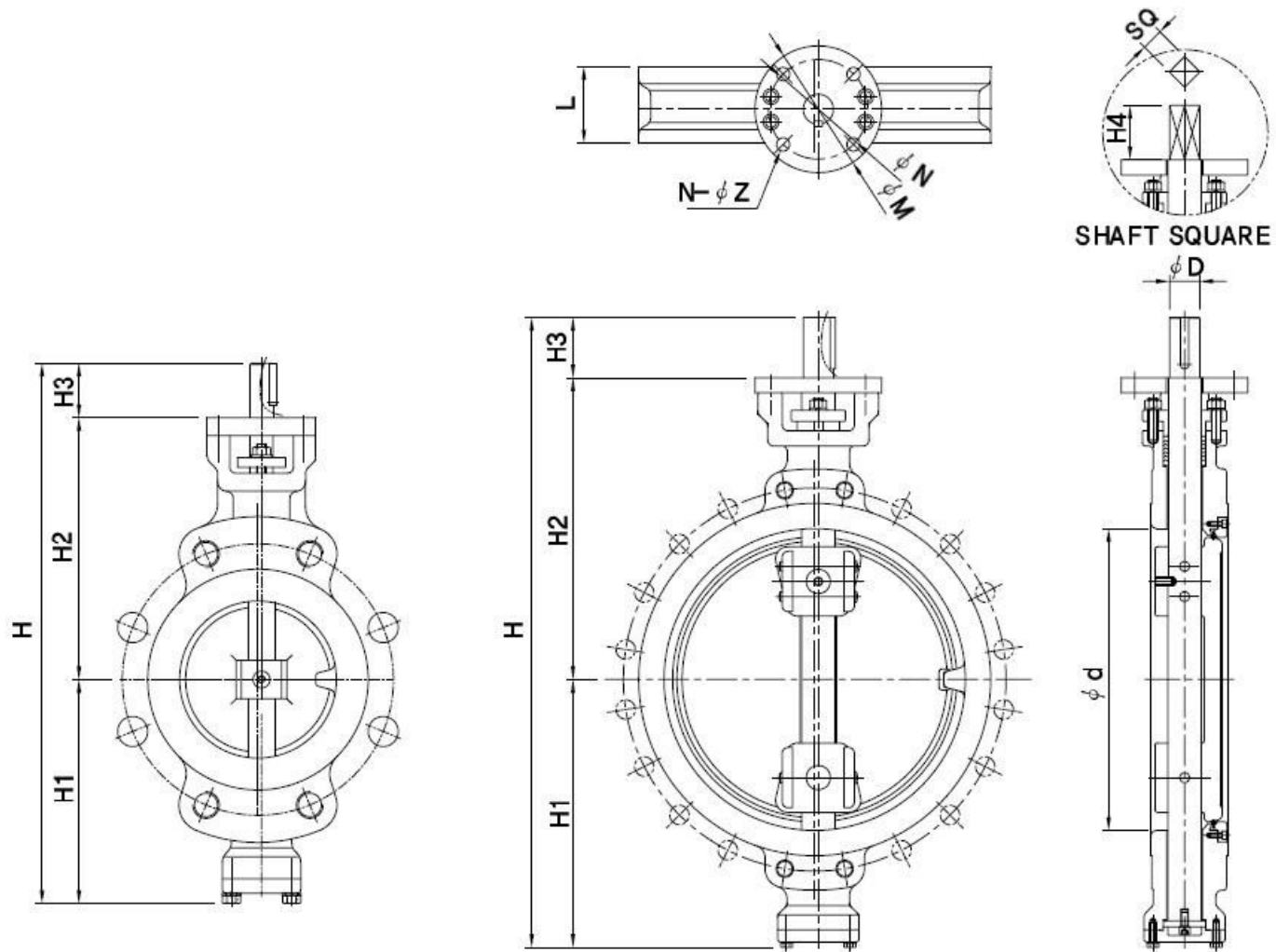


# High-performance Semi-lug Type



## VALVE DIMENSIONS

unit : mm

SIZE		ød	L	H	H1	H2	H3	STEM				TOP FLANGE			WEIGHT (APPROX) (kg)	
inch	mm							øD	KEY SIZE	SQUARE		TYPE	øN	øM		N-øZ
		SQ	H4													
2'	50	50	43	331	118	168	45	16	5x5	12	33	F07	70	90	4-9	5.0
2.5'	65	65	46	355	133	177	45	16	5x5	12	33	F07	70	90	4-9	6.5
3'	80	80	48	374	144	185	45	19	6x6	12	33	F07	70	90	4-9	10.5
4'	100	100	54	409	164	200	45	19	6x6	12	33	F07	70	90	4-9	15.0
5'	125	125	57	450	188	217	45	19	6x6	12	33	F07	70	90	4-9	18.0
6'	150	150	57	490	205	240	45	19	6x6	12	33	F07	70	90	4-9	25.0
8'	200	200	64	553	223	270	60	25	8x7	17	55	F10	102	125	4-12	36.0
10'	250	250	71	655	275	320	60	25	8x7	22	55	F10	102	125	4-12	56.0
12'	300	300	81	718	308	350	60	32	10x8	27	55	F10	102	125	4-12	68.0
14'	350	350	92	816	346	395	75	38	12x8	27	65	F14	140	175	4-18	93.0
16'	400	400	102	905	385	445	75	38	12x8	27	65	F14	140	175	4-18	121.0
18'	450	450	114	1000	410	490	100	50	14x9	36	90	F16	165	210	4-22	144.0
20'	500	500	127	1048	448	500	100	50	14x9	36	90	F16	165	210	4-22	160.0
22'	550	550	154	1123	488	535	100	65	20x12	50	90	F16	165	210	4-22	228.0
24'	600	600	154	1180	515	565	100	65	20x12	50	90	F16	165	210	4-22	284.0
26'	650	650	165	1271	551	620	100	65	20x12	50	90	F16	165	210	4-22	327.0
28'	700	700	165	1346	596	650	100	65	20x12	50	90	F16	165	210	4-22	388.0
30'	750	750	190	1465	620	695	150	80	22x14	50	90	F16	165	210	4-22	462.0
32'	800	800	190	1535	645	740	150	80	22x14	61	100	F25	254	300	8-18	607.0
36'	900	900	203	1665	710	805	150	90	22x14	68	100	F25	254	300	8-18	860.0
40'	1000	1000	216	1790	770	870	150	90	22x14	68	100	F25	254	300	8-18	1180.0