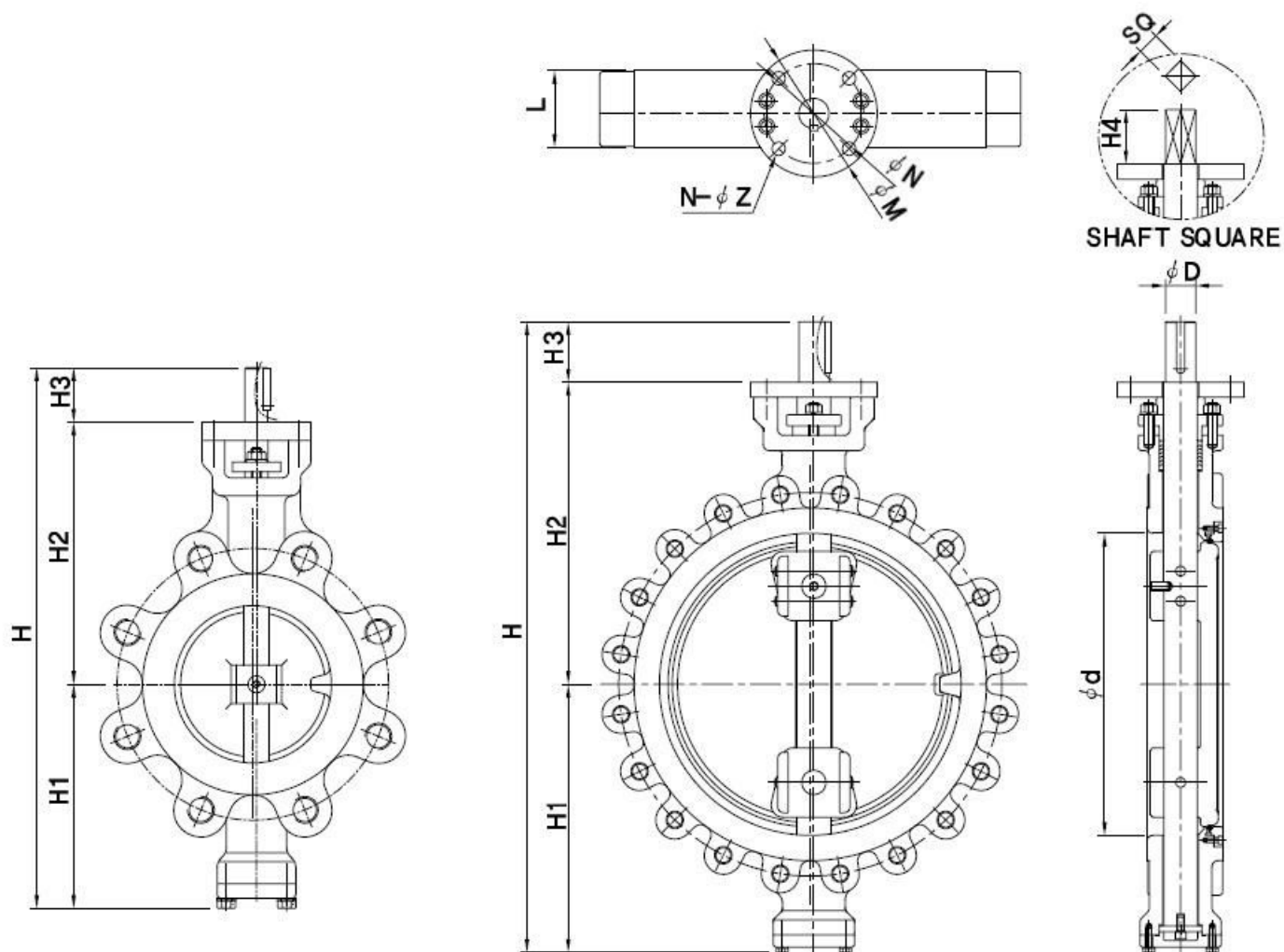


High-performance Lug Type



VALVE DIMENSIONS

unit : mm

SIZE		ød	L	H	H1	H2	H3	STEM				TOP FLANGE			WEIGHT (APPROX.) (kg)	
inch	mm							øD	KEY SIZE	SQUARE		TYPE	øN	øM		N-øZ
										SQ	H4					
2"	50	50	43	331	118	168	45	16	5x6	12	33	F07	70	90	4-9	8.0
2.5"	65	65	46	355	133	177	45	16	5x6	12	33	F07	70	90	4-9	9.0
3"	80	80	48	374	144	185	45	19	6x6	12	33	F07	70	90	4-9	12.0
4"	100	100	54	409	164	200	45	19	6x6	12	33	F07	70	90	4-9	15.0
5"	125	125	57	450	188	217	45	19	6x6	12	33	F07	70	90	4-9	20.0
6"	150	150	57	490	205	240	45	19	6x6	12	33	F07	70	90	4-9	29.0
8"	200	200	64	553	223	270	60	25	8x7	17	55	F10	102	125	4-12	44.0
10"	250	250	71	655	275	320	60	25	8x7	22	55	F10	102	125	4-12	65.0
12"	300	300	81	718	308	350	60	32	10x8	27	55	F10	102	125	4-12	80.0
14"	350	350	92	816	346	395	75	38	12x8	27	65	F14	140	175	4-18	130.0
16"	400	400	102	905	385	445	75	38	12x8	27	65	F14	140	175	4-18	144.0
18"	450	450	114	1000	410	490	100	50	14x9	36	90	F16	165	210	4-22	191.0
20"	500	500	127	1048	448	500	100	50	14x9	36	90	F16	165	210	4-22	226.0
22"	550	550	154	1123	488	535	100	65	20x12	50	90	F16	165	210	4-22	278.0
24"	600	600	154	1180	515	565	100	65	20x12	50	90	F16	165	210	4-22	339.0
26"	650	650	165	1271	551	620	100	65	20x12	50	90	F16	165	210	4-22	418.0
28"	700	700	165	1346	596	650	100	65	20x12	50	90	F16	165	210	4-22	519.0
30"	750	750	190	1465	620	695	150	80	22x14	50	90	F16	165	210	4-22	620.0
32"	800	800	190	1535	645	740	150	80	22x14	61	100	F25	254	300	8-18	783.0
36"	900	900	203	1665	710	805	150	90	22x14	68	100	F25	254	300	8-18	1102.0
40"	1000	1000	216	1790	770	870	150	90	22x14	68	100	F25	254	300	8-18	1450.0